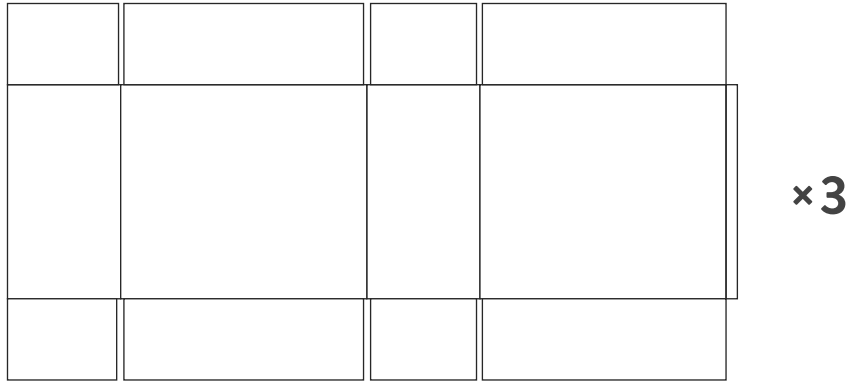
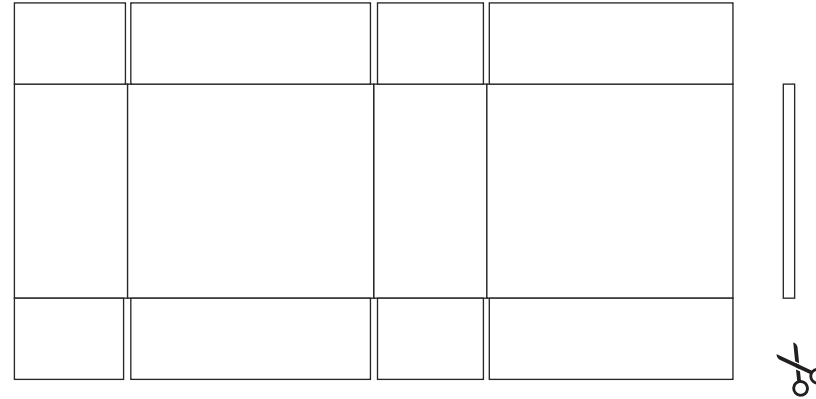


# CARDBOARD SUBMARINE

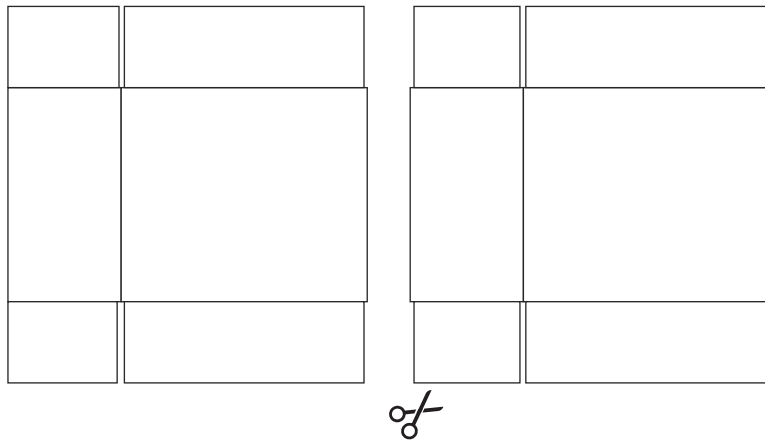
1. Find three similar size boxes, flatten them



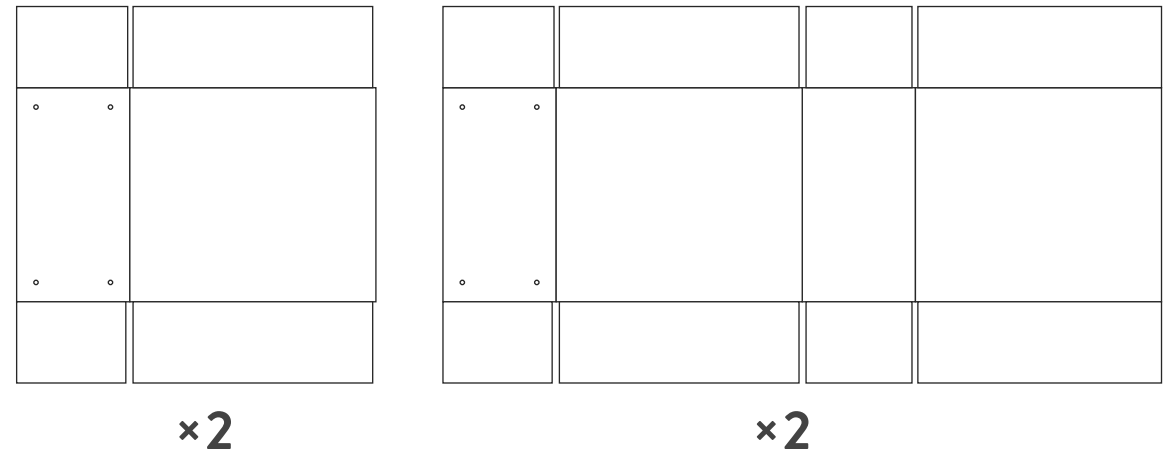
2. Cut off glue end



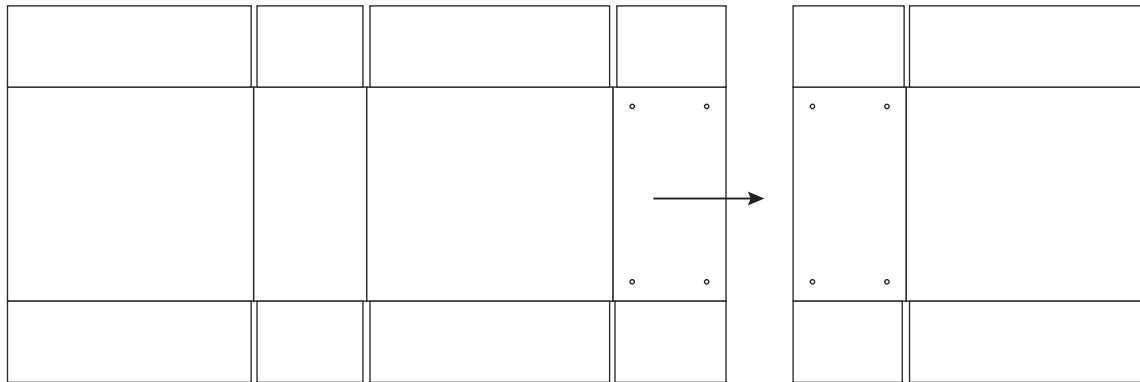
3. Split **one** box in two



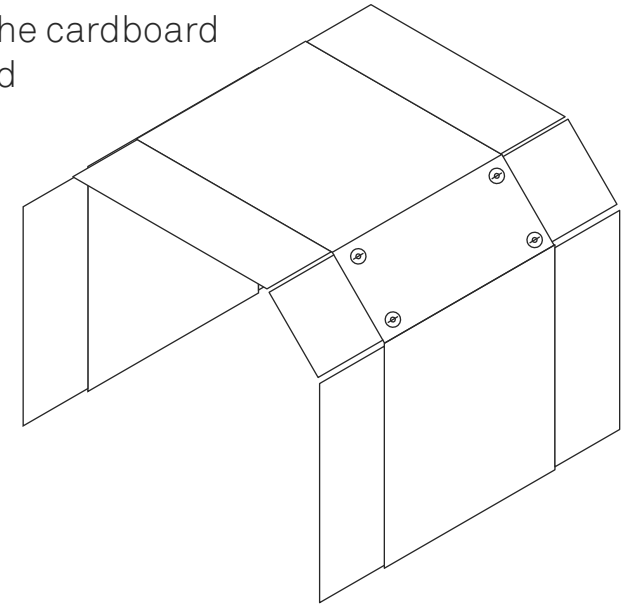
4. Make holes in the short panels on the edge of all segments



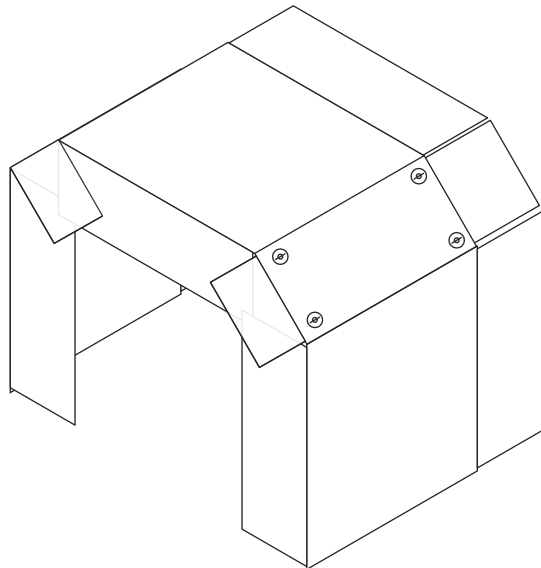
5. Connect one 4 panel segment with one 2 panel segment



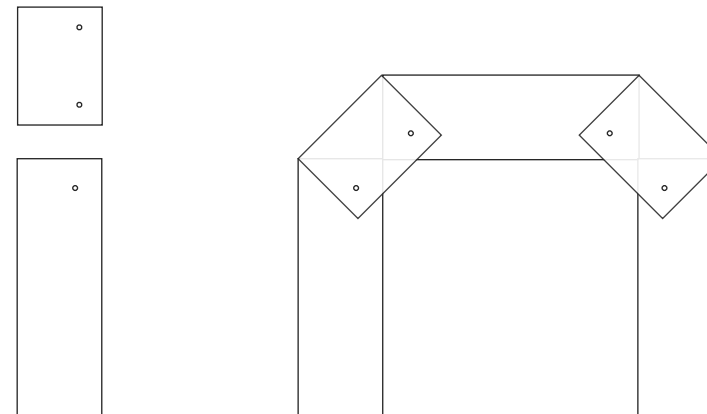
6. Lift the cardboard and fold



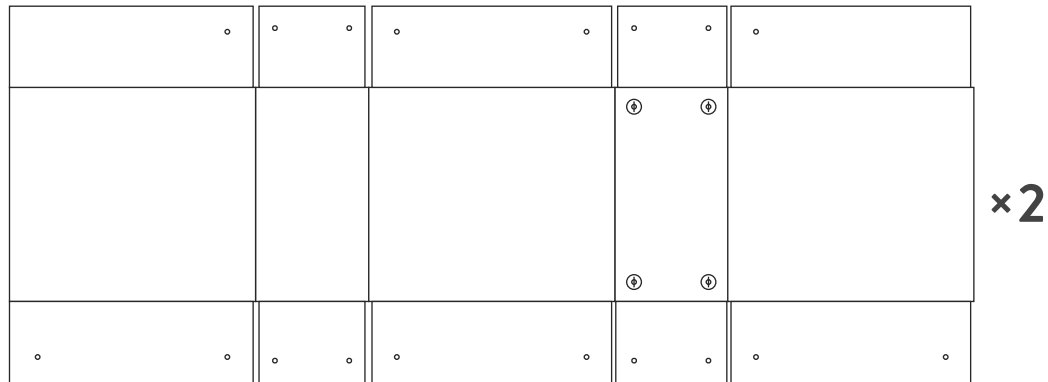
7. Fold in the front edge



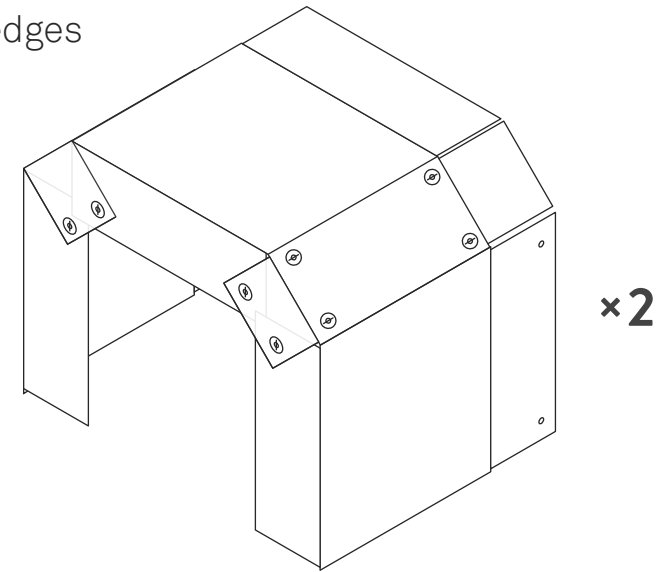
8. Make templates for holes that meet at a 45 degree angle when side panels are folded 90 degrees



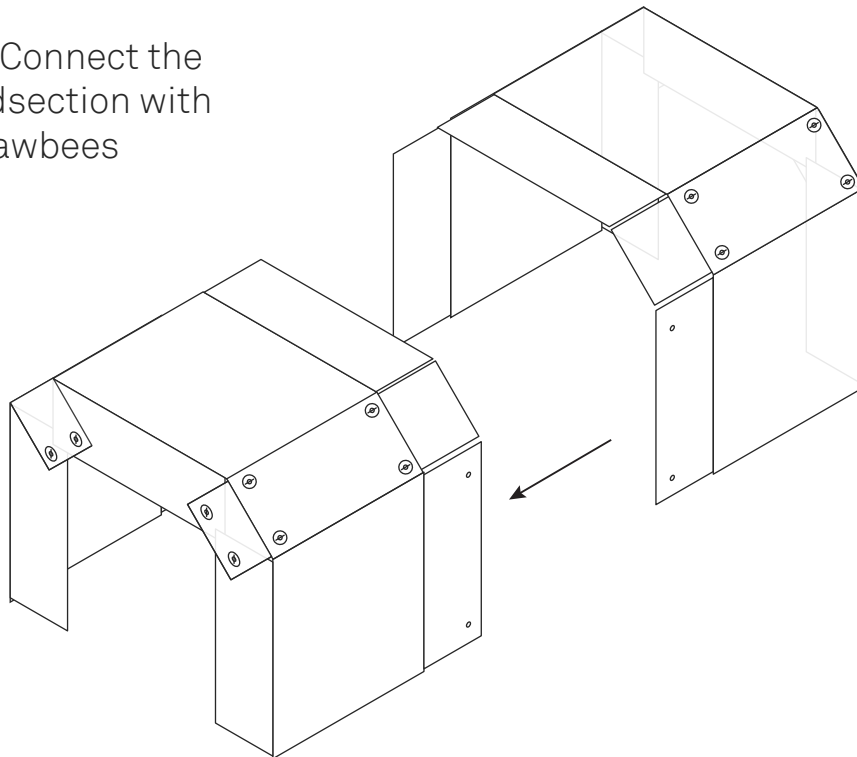
9. Flatten the cardboard piece and Use templates to make the following holes



10. Refold the cardboard and connect the edges with Strawbees



11. Connect the midsection with strawbees



12. Modular cardboard structure done

